

All New CRD-320WT

Ceiling Radiation Damper Bath Fan Combination

- Ceiling radiation dampers are a critical safety component in wood framed multifamily buildings.
- Ceiling radiation dampers are designed and tested to be compatible with the specific ceiling in which it is installed.
- Greenheck offers ceiling radiation damper/bath fan combinations that are compatible with over 20 UL rated ceiling floor assemblies and ETL Certification.

- Greenheck's CRD-310WT and the **all new CRD-320WT** are certified for use with our SP-A, B and L line of products.
- This offering is one of the most comprehensive and flexible on the market, offering solutions for every application.



Certified Ceiling Floor Assemblies	
GA File No.	UL Design No.
FC 5012	M508
FC 5078	L558
FC 5101	L574, M508
FC 5119	L592
FC 5121	L528, L546, L574, M508
FC 5514.4	L585
FC 5515	L528
FC 5515.3	M503
FC 5516	L528
FC 5519	L574
FC 5521	L562
FC 5528	L528
RC 2603	P533
RC 2604	P554
RC 2606	P545
RC 2609	P538
RC 2612	P545, P554

GA=Gypsum Association
Fire Resistance Manual
22nd Edition

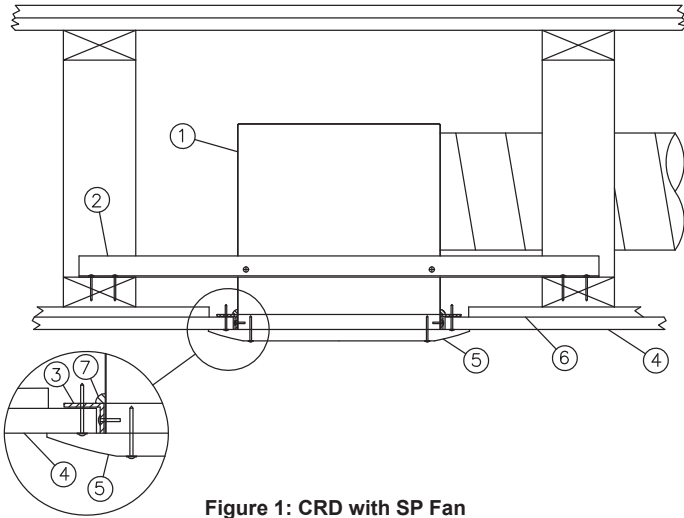


Figure 1: CRD with SP Fan

1. Fan/Damper assembly
2. Mounting angle
3. Plaster flange
4. Gypsum board
5. Grille
6. RC channel
7. 3M fire barrier sealant CP25WB+ (Required with CRD-320WT, optional for all other CRD models)

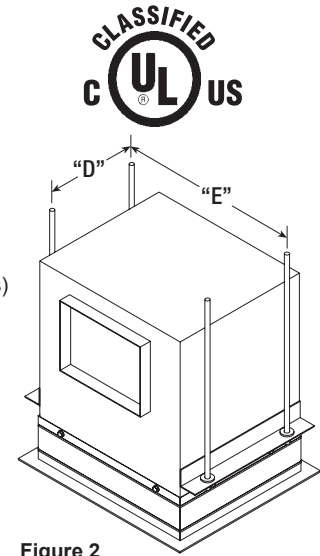


Figure 2

SP Fan Size	CRD Model						
	UL Classified		ETL (Warnock Hersey) Listed	"D"	"E"	Width (in.)	Height (in.)
	1 Hour Combustible	3 Hour Non-Combustible		(See Figure 2)			
SP-B50, SP-B70, SP-B80, SP-B90, SP-B110, SP-B150, SP-B200, SP-L50, SP-L80	CRD-320WT	CRD-320 CRD-320L CRD-320-WT	CRD-320 CRD-320L	4 1/2	15 5/8	14 3/8	12 1/4
SP-A50, SP-A70, SP-A90, SP-A110, SP-A125, SP-A190, SP-A50-90-VG, SP-A90-130-VG	CRD-310WT	CRD-310 CRD-310L CRD-310-WT	CRD-310 CRD-310L	5 1/2	14 5/8	13 1/2	11 1/8
SP-A250, SP-A290, SP-A390, SP-A200	-	CRD-320 CRD-320L	CRD-320 CRD-320L	6 3/4	15 1/2	14 3/8	12 1/4
SP-A410, SP-A510, SP-A510-VG, SP-A710, SP-A710-VG, SP-A780	-	CRD-350	CRD-350	9 1/4	19 5/8	18 7/16	14 13/16
SP-A900, SP-A1050, SP-A1050-VG, SP-A1300, SP-A1410, SP-A1550		CRD-360	CRD-360	9 1/4	25 3/8	24 3/16	14 13/16
SP-A700, SP-A700-VG		CRD-700	--	9 1/4	25 1/8	24 1/8	12 1/4

■ = New Additions

